



Akzo Nobel Finishing
Renowned for Beauty & Durability

Full Overlay Cabinets
Tiny Gaps Between Drawers & Doors
Result in Custom-design Kitchens

All Solid Wood Drawer Front
Strong Drawer Holding Power for Lasting Durability

Solid Wood Door
(Painted Series Have MDF Middle Panels to Prevent Cracking)

3/4" Thick Full-Depth Plywood Shelving

- Four Sides Edge Banded - Reversible!
- Strong & Durable

Inconspicuous Shelf Holes
Beauty Starts Even Behind Closed Doors

Reinforced Toe Kick

3/4" x 1-1/2" Hardwood Face Frame

Full Extension Under Mount Soft-Close Slides with Lockable Slide Back Brackets

- 1" Longer Slides than Standard Industry for Additional Strength
- Aligned Drawers Get Locked in Place

5/8" Solid-Panel Plywood Back (All Series)

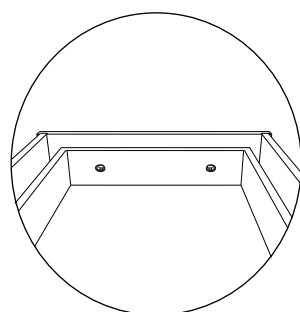
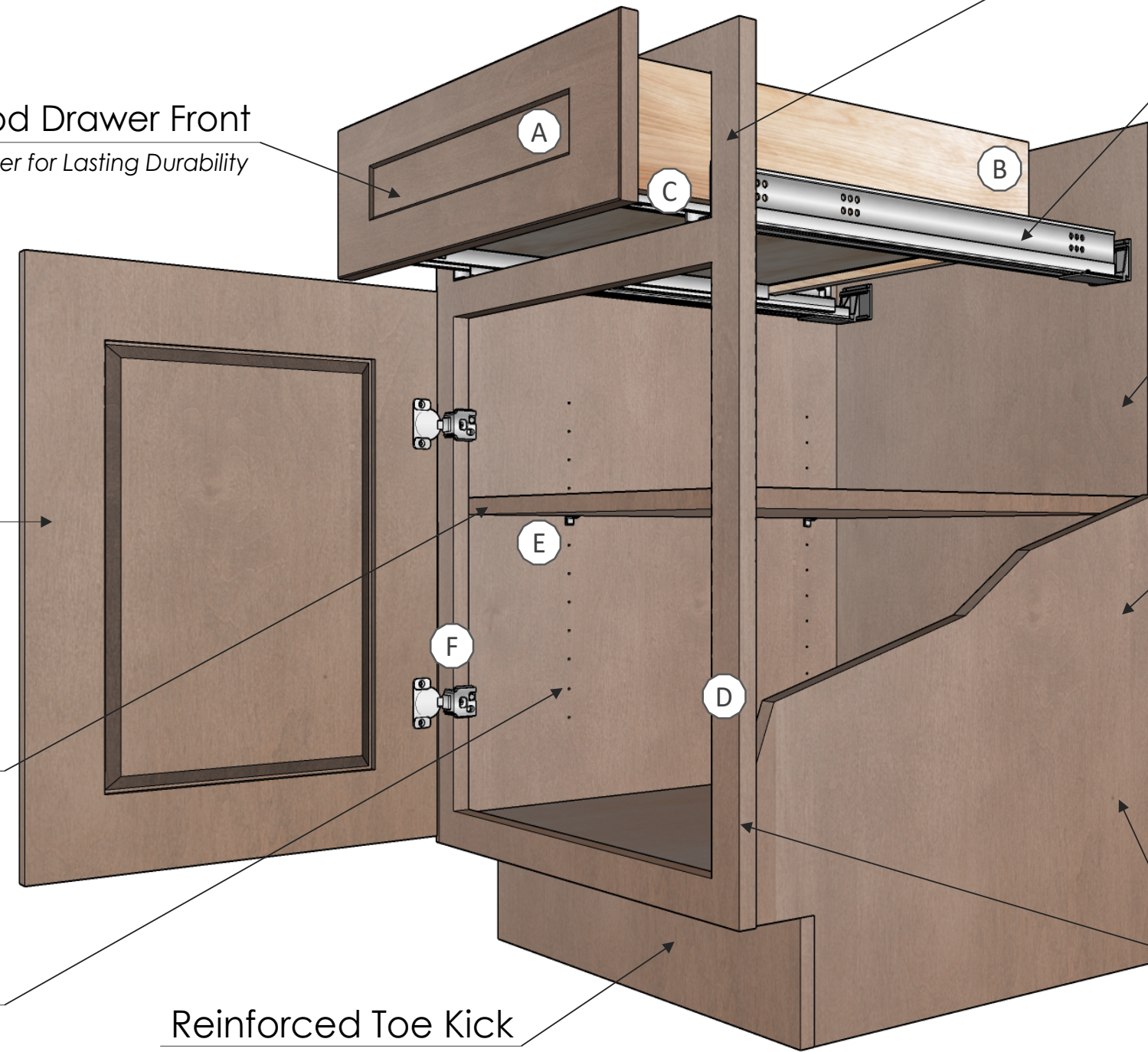
- Strong Back Bone for Easy Installation & Lifetime Holding
- Finished Matching Color to Door's

5/8" Thick Color-Matching Plywood Sides

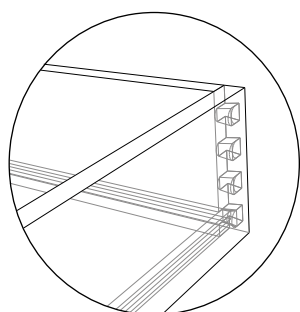
- 1/2" for AC series
- Finished Matching Color Inside-Out to Door's
- Avoiding Tedious & Unstable Skinning
- Strong construction & High-End Quality
- Fully Prepped for Glass Doors Any Time Later

Frames and Back Panels Predrilled for Easy P.O. Tray Installation

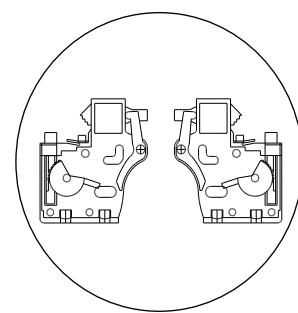
- Saving time & Labor
- DIY - Easily Done by Homeowners Anytime Later



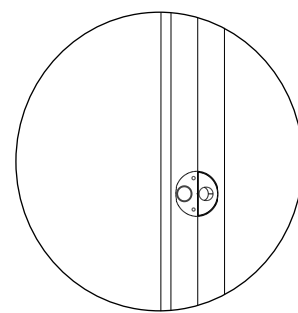
A - Adjustable Drawer Fronts for Perfect Alignment



B - Solid Birch Dovetailed 5/8" Thick Drawer Boxes
Beautiful & Quality Wood

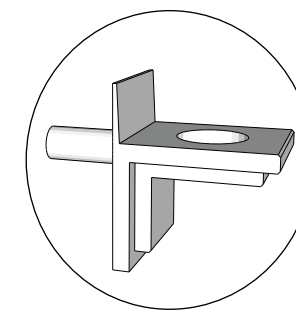


C - Easy Slide-Mounting Clips
Facilitate Instant Drawer Removal & Reattachment for Cleaning

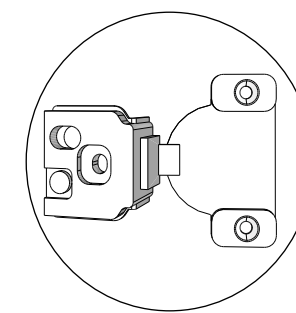


D - Patented Hidden Locking System Behind Cabinet Frame for:

- Strong Construction
- Fast Assembly
- Beautiful & Clean Cabinet Boxes



E - Special Design Metal Shelf Supports
Tiny Strong Pins for Inconspicuous Shelf Holes



F - 6-Way Adjustable, Soft Close Hinges
More Ergonomic & Compact than Standard Industry